



PROJECT SITE



SCALE: N.T.S.

NOTES:

- 1. HYDRAULIC DREDGING OF APPROXIMATELY 300,000 CY OF BEACH COMPATIBLE SAND AND SUBSEQUENT PLACEMENT ON GULF BEACH BETWEEN PACKERY CHANNEL AND WHITECAP BLVD.

FOR COE USE ONLY

Permit Application No.: _____
 Applicant Name: _____
 Sheet ___ of ___



HDR Engineering, Inc.
 TEXAS PERM REGISTRATION NUMBER 754

ACTIVITY: MAINTENANCE DREDGING AND BEACH NOURISHMENT

SWG-2011-00159

APPLICANT: CITY OF CORPUS CHRISTI

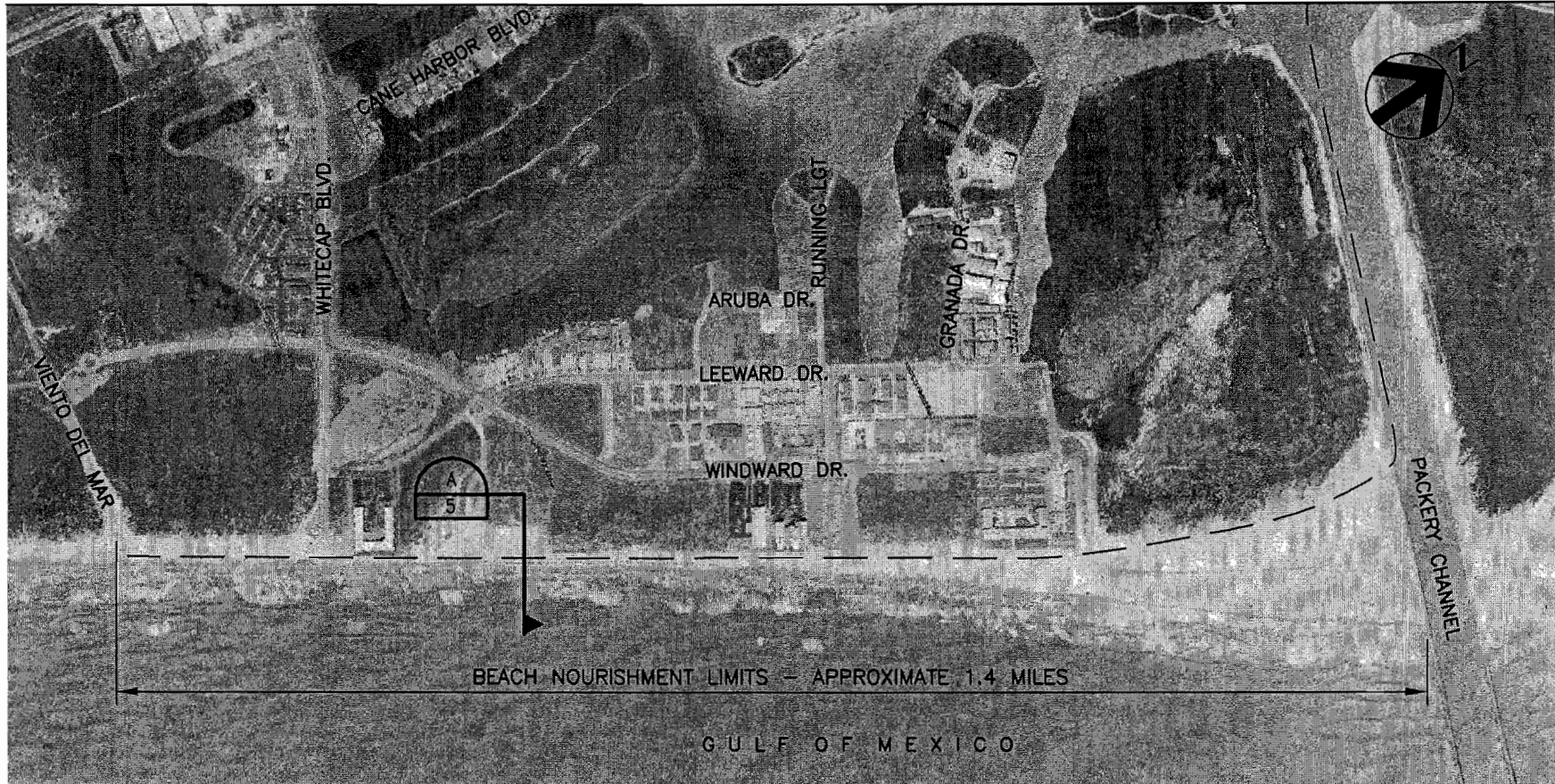
DATUM: NAD83

DATE: 02-09-2011

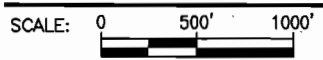
REV. DATE:

HDR JOB NO: 151670

SHEET 2 OF 7



PLAN - BEACH NOURISHMENT AREA



LEGEND:

— — PROPOSED TEMPORARY PIPELINE ROUTE

NOTES:

1. APPROXIMATELY 300,000 CY OF BEACH COMPATIBLE SAND TO BE PLACED IN BEACH NOURISHMENT AREA.
2. PIPELINE WILL BE PLACED LANDWARD OF MHW LINE.
3. LOCATION OF TEMPORARY PIPELINE IN CHANNEL AND ON BEACH VARIES.

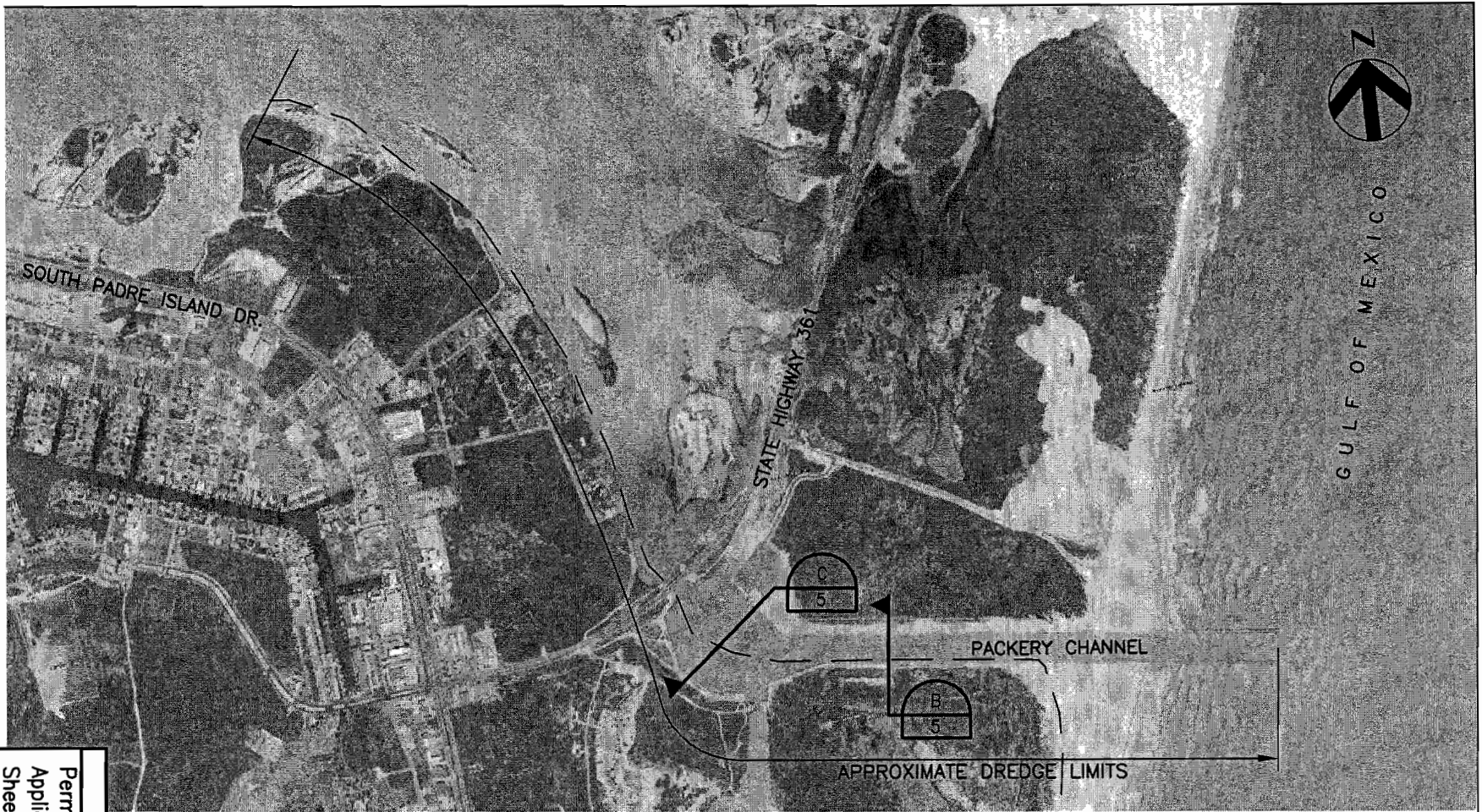
ACTIVITY: MAINTENANCE DREDGING AND BEACH NOURISHMENT
 APPLICANT: CITY OF CORPUS CHRISTI
 DATE: 02-09-2011
 HDR JOB NO: 151670

FOR COE USE ONLY
 Permit Application No.: _____
 Applicant Name: _____
 Sheet _____ of _____

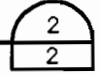
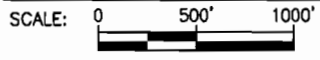
SWG-2011-00159
 DATUM: NAD83
 REV. DATE:
 SHEET 3 OF 7



GULF OF MEXICO



PLAN - DREDGE AREA



LEGEND:



NOTES:

1. APPROXIMATELY 300,000 CY OF BEACH COMPATIBLE SAND TO BE PLACED IN BEACH NOURISHMENT AREA.
2. PIPELINE WILL BE PLACED LANDWARD OF MHW LINE.
3. LOCATION OF TEMPORARY PIPELINE IN CHANNEL AND ON BEACH VARIES.

HDR

HDR Engineering, Inc.
10047 FM 1960, SUITE 100, HOUSTON, TEXAS 77058

ACTIVITY: MAINTENANCE DREDGING AND BEACH NOURISHMENT

APPLICANT: CITY OF CORPUS CHRISTI

DATE: 02-09-2011

HDR JOB NO: 151670

FOR COE USE ONLY

Permit Application No.:

Applicant Name:

Sheet _____ of _____

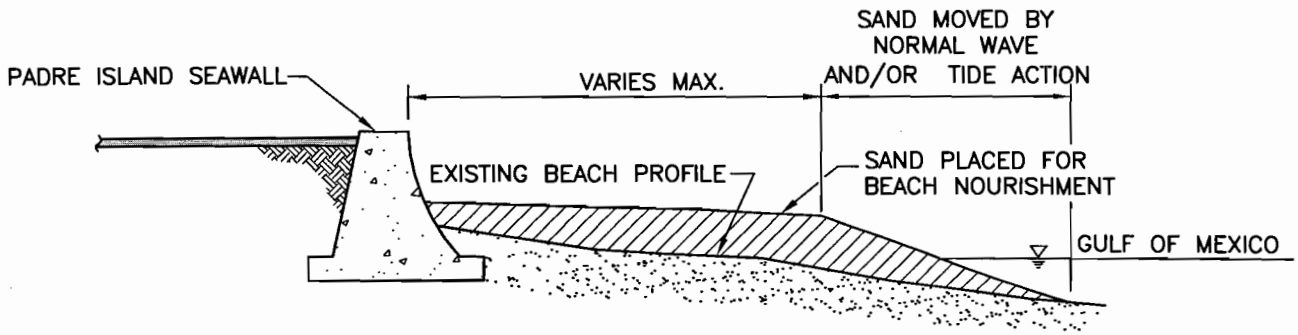
SW64-2011-00159

DATUM: NAD83

REV. DATE:

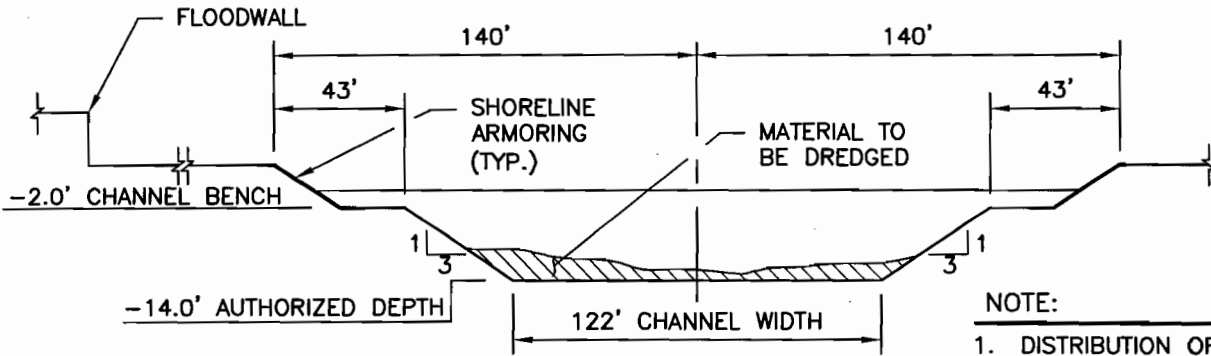
SHEET 4 OF 7

FEB 18 2011



TYPICAL BEACH NOURISHMENT SECTION

SCALE: N.T.S.

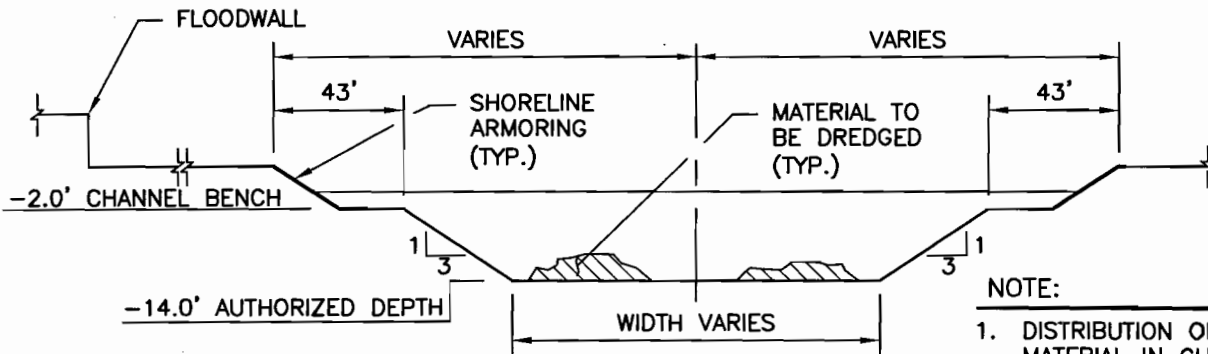


NOTE:

1. DISTRIBUTION OF MAINTENANCE MATERIAL IN CHANNEL VARIES SEASONALLY.

TYPICAL MAINTENANCE DREDGING SECTION

SCALE: N.T.S.



NOTE:

1. DISTRIBUTION OF MAINTENANCE MATERIAL IN CHANNEL VARIES SEASONALLY.

TYPICAL MAINTENANCE DREDGING SECTION

SCALE: N.T.S.



FOR COE USE ONLY	
Permit Application No.:	_____
Applicant Name:	_____
Sheet	___ of ___



ACTIVITY: MAINTENANCE DREDGING AND BEACH NOURISHMENT	SWG-2011-00159
APPLICANT: CITY OF CORPUS CHRISTI	DATUM: MLT
DATE: 02-09-2011	REV. DATE:
HDR JOB NO: 151670	SHEET 5 OF 7

GENERAL REQUIREMENTS:

1. SAND REMOVED FROM BORROW AREAS WILL BE FREE OF DEBRIS AND/OR EXCESSIVE CLAY/SILT MATERIAL THAT IS NOT CONSISTENT WITH BEACH QUALITY SAND NORMALLY FOUND ALONG THE ADJACENT GULF SHORELINE.
2. SAND DEPOSITED IN FRONT OF THE SEAWALL WILL BE MOVED BY NORMAL WAVE AND/OR TIDE ACTION.

MONITORING REQUIREMENTS:

1. PRIOR TO COMMENCING A SAND REMOVAL EVENT, AN INITIAL TOPOGRAPHIC/ HYDROGRAPHIC SURVEY WILL BE PERFORMED OVER THE PORTION OF BORROW AREA TO BE UTILIZED.
2. UPON COMPLETION OF A SAND REMOVAL EVENT, A FINAL TOPOGRAPHIC/ HYDROGRAPHIC SURVEY AND QUANTITY COMPUTATIONS WILL BE PERFORMED FOR THE PORTION OF BORROW AREA PREVIOUSLY UTILIZED.
3. SUBSEQUENT SAND REMOVAL EVENTS MAY BE PERFORMED AT ANY TIME IF INITIAL SURVEY AND QUANTITY COMPUTATIONS INDICATE THAT NEW SAND HAS ACCRETED IN THE PORTION OF THE BORROW AREA TO BE UTILIZED.

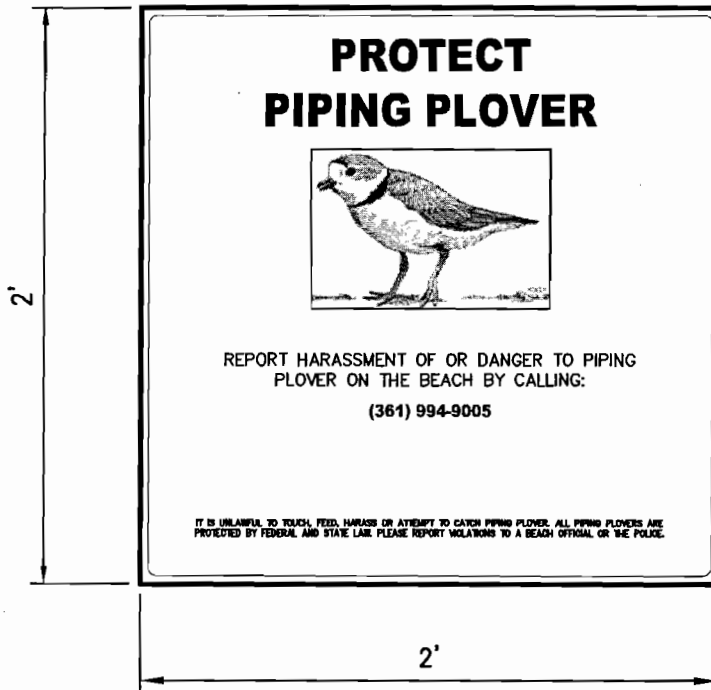
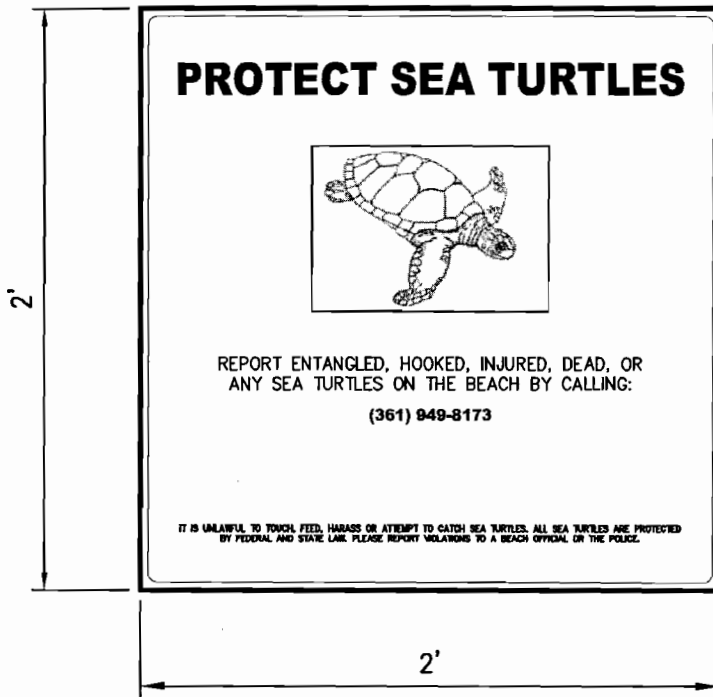
ENDANGERED SPECIES AVOIDANCE AND MINIMIZATION MEASURES:

1. APPLICANT SHALL REMAIN IN COMPLIANCE WITH CONDITIONS SET FORTH IN A BIOLOGICAL OPINION.

FOR COE USE ONLY
Permit Application No.: _____
Applicant Name: _____
Sheet ____ of ____



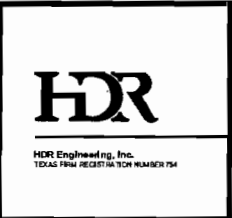
ACTIVITY: MAINTENANCE DREDGING AND BEACH NOURISHMENT	SWG-2011-00159
APPLICANT: CITY OF CORPUS CHRISTI	DATUM: NAD83
DATE: 02-09-2011	REV. DATE:
HDR JOB NO: 151670	SHEET 6 OF 7



NOTE:

1. WARNING SIGNS SHALL BE PLACED AT ENTRANCES TO CONSTRUCTION AREAS.

FOR COE USE ONLY
Permit Application No.: _____
Applicant Name: _____
Sheet ____ of ____



ACTIVITY: MAINTENANCE DREDGING AND BEACH NOURISHMENT	SWG-2011-00159
APPLICANT: CITY OF CORPUS CHRISTI	DATUM: NAD83
DATE: 02-09-2011	REV. DATE:
HDR JOB NO: 151670	SHEET 7 OF 7